

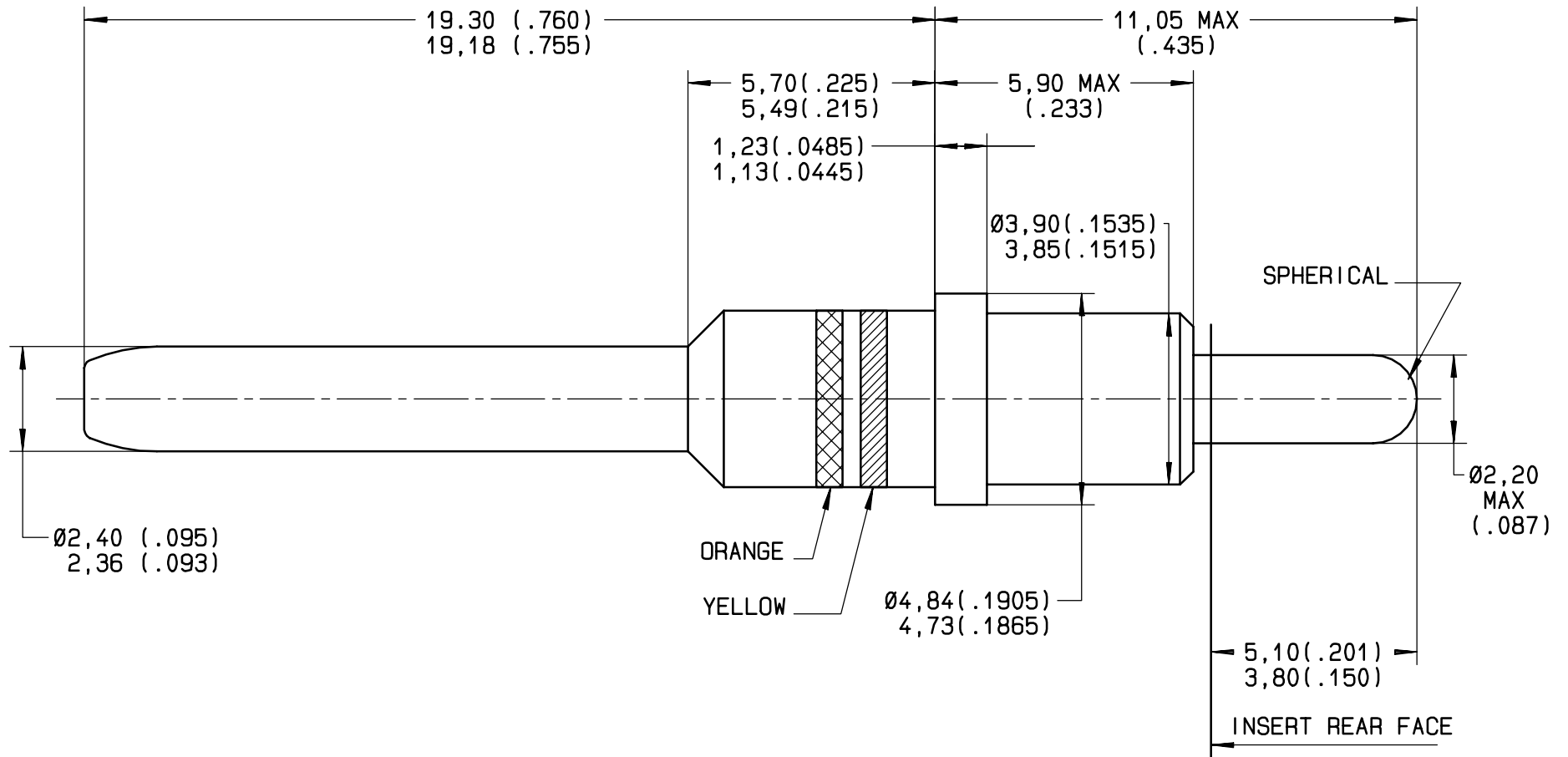


Series
NSX

SIZE 12 FRONT RELEASE. FRONT REMOVABLE
TIN LEAD DEPOSIT ON PC POST PIN CONTACT

Issue:
13 NOVEMBER 02

Page
1 / 1



***MATERIAL:**

- CONTACT: BRASS PER QQ-B-626

***FINISH:**

- CONTACT BODY: PLATING .00005 INCH OF GOLD PER MIL-G-45204 TYPE I OR II GRADE C OR D CLASS 1 OVER NICKEL PER QQ-N-290 - PWD SOLDER CONTACT AREA TIN LEADED PER QQ-S-571

***INSERTION/EXTRACTION TOOL:** 282549005

This information is given as an indication. In the continual goal to improve our products, we reserve the right to make any modifications judged necessary.

CREATION				
PEN: M990400021A				
NOM: MACARI	13 NOV 02	11,05 MAX (.435) WAS 11,50 MAX (.453)	COUTHON	VALGRESY
DATE: 24 MARCH 99	20 JULY 99	11,50 MAX (.453) WAS 11 MAX (.434) + 5,10 (.201) WAS 4,60 (.181)	D.FERRER	MACARI
APPR.: .		Ø2,11 MAX (.087) WAS 2,20 MAX (.087)		
	Issue	Revisions	Name	Approved